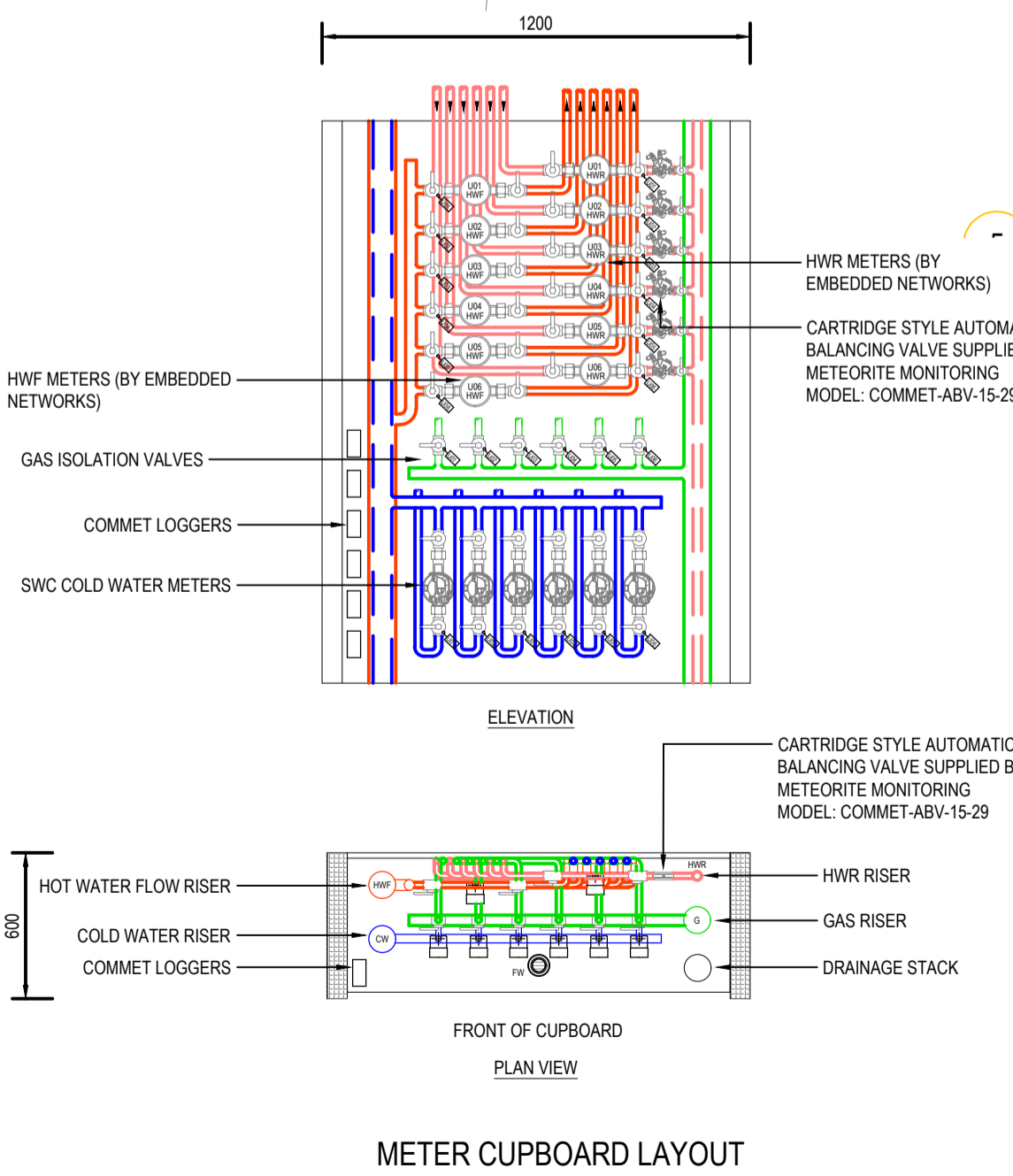


HOT WATER MANIFOLD PIPE SIZES		
NUMBER OF UNITS	PIPE SIZE (MM)	FLOW RATE (L/s)
1	20	0.40
2	20	0.56
3	25	0.67
4	25	0.78
5	25	0.78
6	25	0.80
7	25	0.82
8	25	0.83
9	25	0.85
10	25	0.87

- NOTES:**
- REFER TO H000 FOR GENERAL NOTES AND LEGEND.
  - BALANCING VALVES BY METEORITE MONITORING VIA EMBEDDED NETWORKS
  - AIR RELEASE VALVE / AIR VENT (SOLAR) - CALEFFI CODE 250032 ALL VALVE INDUSTRIES
  - REFER TO H400 SERIES FOR TYPICAL APARTMENT PRESSURE DETAILS.
  - TEMPERING VALVES TO BE INSTALLED IN UNITS ALONG DEAD LEGS
  - 50L ELECTRIC HOT WATER STORAGE UNIT TO BE FIXED AT HIGH-LEVEL COMPLETE WITH A SAFE TRAY
  - 50L ELECTRIC HOT WATER STORAGE UNIT LOCATED UNDER KITCHEN BENCH COMPLETE WITH A SAFE TRAY AND TEMPERING VALVE SET TO 50 DEGREES CELSIUS
  - 50L ELECTRIC HOT WATER STORAGE UNIT LOCATED AT HIGH-LEVEL COMPLETE WITH A SAFE TRAY AND THERMOSTATIC MIXING VALVE SET TO 43 DEGREES CELSIUS
  - ALL PRVs TO BE SET AT 450KPa
  - ALLOW FOR HOT WATER EXPANSION LOOP EVERY 18m IN ACCORDANCE WITH AS/NZS 3500.4:2018 CL 4.12.3
  - INSTALL THERMAL WRAP ON HOT WATER FLOW & RETURN RISERS EQUAL TO THERMOTEC 4-ZERO 38mm

- NOTES:**
- CONTRACTOR TO ALLOW TO SURVEY SITE PRIOR TO START OF WORKS AND LODGE ALL REQUIRED APPLICATIONS AND PAY ALL FEES & CHARGES IN REGARDS TO THE WATER, SEWER & GAS CONNECTION FOR THE DEVELOPMENT.
  - CONTRACTOR TO CONFIRM LOCATION AND DEPTH OF ALL EXISTING AND NEW MAINS (GAS & WATER). CONTRACTOR TO CONFIRM CONNECTION POINTS AND LOCATION PRIOR TO START ANY WORKS ON SITE.
- WATER SERVICES**
- AIR RELEASE VALVE / AIR VENT (SOLAR) - CALEFFI CODE 250032 ALL VALVE INDUSTRIES
  - CAP OFF PROVISION FOR FUTURE CONNECTION BY IRRIGATION CONTRACTOR.
  - CAP OFF PROVISION FOR FUTURE CONNECTION BY IRRIGATION CONTRACTOR. RPZD TO BE LOCATED UP STREAM IN METER CUPBOARD AND TO DISCHARGE OVER TUNDISH
  - CONTRACTOR TO PLACE "DO NOT DRINK" SIGN VISIBLE AT ALL NON-POTABLE AND NON-DRINKABLE FIXTURES.
  - ALL UPSTREAM PIPE WORK SERVING FIRE HOSE REEL (FHR) TO BE OF COPPER MATERIAL. ALL VALVES UPSTREAM OF FHR TO BE PAD LOCKED IN THE OPEN POSITION.
  - TEMPERING VALVES TO BE INSTALLED IN APARTMENTS AT DEAD LEGS AND AS PER HYDRAULIC SERVICES DRAWING - TEMPERING VALVES TO BE 20mm CALLEFFI PRESET TO 50° DEGREES CELSIUS.
  - TERMOSTATIC MIXING VALVE -
    - CALEFFI 20mm CODE 252219 SUPPLIED BY ALL VALVE INDUSTRIES
    - ENWARE 20mm TMV 1500
  - 50L ELECTRIC HOT WATER STORAGE UNIT TO BE FIXED AT HIGH-LEVEL COMPLETE WITH A SAFE TRAY & SUNDRIES.
  - 50L ELECTRIC HOT WATER STORAGE UNIT LOCATED UNDER KITCHEN BENCH COMPLETE WITH A SAFE TRAY, SUNDRIES AND TEMPERING VALVE SET TO 50° DEGREES CELSIUS.
  - 50L ELECTRIC HOT WATER STORAGE UNIT LOCATED AT HIGH-LEVEL COMPLETE WITH A SAFE TRAY, SUNDRIES AND THERMOSTATIC MIXING VALVE SET TO 43° DEGREES CELSIUS.
  - ALL PRESSURE REDUCTION VALVES (PRVs) TO BE SET AT 450KPa -
    - ALL VALVES INDUSTRIES
    - WATTS AUSTRALIA
  - ALL COLD WATER (CW) DOMESTIC PUMPS TO BE OF MULTI STAGE VARIABLE SPEED TYPE FITTED WITH PRESSURE VESSEL AND FULL SPEC CONTROL PANEL FROM GRUNDFOS OR EQUAL.
  - ALLOW FOR HOT WATER EXPANSION LOOP EVERY 18m IN ACCORDANCE WITH AS/NZS 3500.4:2021 CL 4.12.3
  - ALL HOT WATER PIPE WORK TO BE INSULATED WITH 25mm THERMOTEC INSULATION FROM HOT WATER METER TO APARTMENT ENTRY DOOR, IN ACCORDANCE WITH AS 3500.4 REQUIREMENTS (R VALUE 0.6).
  - ISOLATION VALVE PROVISION FOR GARBAGE CHUTE WASH DOWN, CONNECTION BY SPECIALISED CONTRACTOR. RPZD TO BE LOCATED UP STREAM IN METER CUPBOARD AND TO DISCHARGE OVER TUNDISH.
  - GRUNDFOS HOT-WATER DUAL CIRCULATING PUMPS MODEL AND PUMP DUTY REFER TO SCHEMATIC DRAWING.



BOUNDARY 44M

BOUNDARY 67.5M