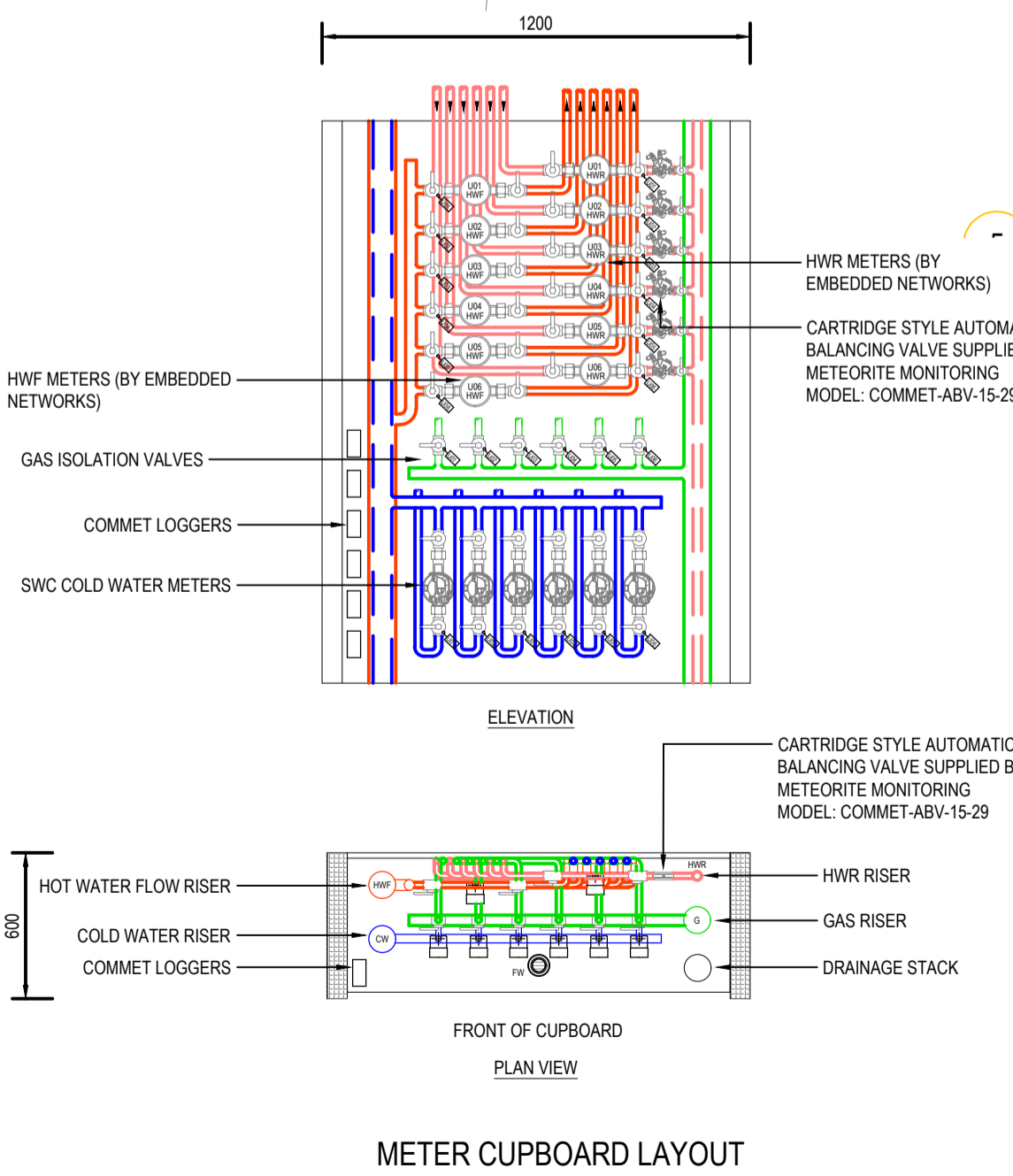


HOT WATER MANIFOLD PIPE SIZES		
NUMBER OF UNITS	PIPE SIZE (MM)	FLOW RATE (L/s)
1	20	0.40
2	20	0.56
3	25	0.67
4	25	0.78
5	25	0.78
6	25	0.80
7	25	0.82
8	25	0.83
9	25	0.85
10	25	0.87

- NOTES:**
- REFER TO H000 FOR GENERAL NOTES AND LEGEND.
 - BALANCING VALVES BY METEORITE MONITORING VIA EMBEDDED NETWORKS
 - AIR RELEASE VALVE / AIR VENT (SOLAR) - CALEFFI CODE 250032 ALL VALVE INDUSTRIES
 - REFER TO H400 SERIES FOR TYPICAL APARTMENT PRESSURE DETAILS.
 - TEMPERING VALVES TO BE INSTALLED IN UNITS ALONG DEAD LEGS
 - 50L ELECTRIC HOT WATER STORAGE UNIT TO BE FIXED AT HIGH-LEVEL COMPLETE WITH A SAFE TRAY
 - 50L ELECTRIC HOT WATER STORAGE UNIT LOCATED UNDER KITCHEN BENCH COMPLETE WITH A SAFE TRAY AND TEMPERING VALVE SET TO 50 DEGREES CELSIUS
 - 50L ELECTRIC HOT WATER STORAGE UNIT LOCATED AT HIGH-LEVEL COMPLETE WITH A SAFE TRAY AND THERMOSTATIC MIXING VALVE SET TO 43 DEGREES CELSIUS
 - ALL PRVs TO BE SET AT 450KPa
 - ALLOW FOR HOT WATER EXPANSION LOOP EVERY 18m IN ACCORDANCE WITH AS/NZS 3500.4:2018 CL 4.12.3
 - INSTALL THERMAL WRAP ON HOT WATER FLOW & RETURN RISERS EQUAL TO THERMOTEC 4-ZERO 38mm

- NOTES:**
- CONTRACTOR TO ALLOW TO SURVEY SITE PRIOR TO START OF WORKS AND LODGE ALL REQUIRED APPLICATIONS AND PAY ALL FEES & CHARGES IN REGARDS TO THE WATER, SEWER & GAS CONNECTION FOR THE DEVELOPMENT.
 - CONTRACTOR TO CONFIRM LOCATION AND DEPTH OF ALL EXISTING AND NEW MAINS (GAS & WATER). CONTRACTOR TO CONFIRM CONNECTION POINTS AND LOCATION PRIOR TO START ANY WORKS ON SITE.
- WATER SERVICES**
- AIR RELEASE VALVE / AIR VENT (SOLAR) - CALEFFI CODE 250032 ALL VALVE INDUSTRIES
 - CAP OFF PROVISION FOR FUTURE CONNECTION BY IRRIGATION CONTRACTOR.
 - CAP OFF PROVISION FOR FUTURE CONNECTION BY IRRIGATION CONTRACTOR. RPZD TO BE LOCATED UP STREAM IN METER CUPBOARD AND TO DISCHARGE OVER TUNDISH
 - CONTRACTOR TO PLACE "DO NOT DRINK" SIGN VISIBLE AT ALL NON-POTABLE AND NON DRINKABLE FIXTURES.
 - ALL UPSTREAM PIPE WORK SERVING FIRE HOSE REEL (FHR) TO BE OF COPPER MATERIAL. ALL VALVES UPSTREAM OF FHR TO BE PAD LOCKED IN THE OPEN POSITION.
 - TEMPERING VALVES TO BE INSTALLED IN APARTMENTS AT DEAD LEGS AND AS PER HYDRAULIC SERVICES DRAWING - TEMPERING VALVES TO BE 20mm CALLEFFI PRESET TO 50° DEGREES CELSIUS.
 - THERMOSTATIC MIXING VALVE -
 - CALEFFI 20mm CODE 252219 SUPPLIED BY ALL VALVE INDUSTRIES
 - ENWARE 20mm TMV 1500
 - 50L ELECTRIC HOT WATER STORAGE UNIT TO BE FIXED AT HIGH-LEVEL COMPLETE WITH A SAFE TRAY & SUNDRIES.
 - 50L ELECTRIC HOT WATER STORAGE UNIT LOCATED UNDER KITCHEN BENCH COMPLETE WITH A SAFE TRAY, SUNDRIES AND TEMPERING VALVE SET TO 50° DEGREES CELSIUS.
 - 50L ELECTRIC HOT WATER STORAGE UNIT LOCATED AT HIGH-LEVEL COMPLETE WITH A SAFE TRAY, SUNDRIES AND THERMOSTATIC MIXING VALVE SET TO 43° DEGREES CELSIUS.
 - ALL PRESSURE REDUCTION VALVES (PRVs) TO BE SET AT 450KPa -
 - ALL VALVES INDUSTRIES
 - WATTS AUSTRALIA
 - ALL COLD WATER (CW) DOMESTIC PUMPS TO BE OF MULTI STAGE VARIABLE SPEED TYPE FITTED WITH PRESSURE VESSEL AND FULL SPEC CONTROL PANEL FROM GRUNDFOS OR EQUAL.
 - ALLOW FOR HOT WATER EXPANSION LOOP EVERY 18m IN ACCORDANCE WITH AS/NZS 3500.4:2021 CL 4.12.3
 - ALL HOT WATER PIPE WORK TO BE INSULATED WITH 25mm THERMOTEC INSULATION FROM HOT WATER METER TO APARTMENT ENTRY DOOR, IN ACCORDANCE WITH AS 3500.4 REQUIREMENTS (R VALUE 0.6).
 - ISOLATION VALVE PROVISION FOR GARBAGE CHUTE WASH DOWN, CONNECTION BY SPECIALISED CONTRACTOR. RPZD TO BE LOCATED UP STREAM IN METER CUPBOARD AND TO DISCHARGE OVER TUNDISH.
 - GRUNDFOS HOT-WATER DUAL CIRCULATING PUMPS MODEL AND PUMP DUTY REFER TO SCHEMATIC DRAWING.



- HYDRAULIC METER CUPBOARD CONTAINING:**
- 5 x COLD WATER METERS
 - 5 x HOT WATER METERS
 - 5 x HOT WATER RETURN METERS
 - 5 x BALANCING VALVES
 - 5 x GAS VALVES
 - REFER TO SCHEMATIC FOR SIZING

- DINING/ HYDRAULIC METER CUPBOARD CONTAINING:**
- 4 x COLD WATER METERS
 - 4 x HOT WATER METERS
 - 4 x HOT WATER RETURN METERS
 - 4 x BALANCING VALVES
 - 4 x GAS VALVES
 - REFER TO SCHEMATIC FOR SIZING

PIPEWORK SHALL NOT ENCRDACH ON TO FIRE STAIR AND ELEC CUPBOARD DRAWN FOR CLARITY PURPOSES ONLY

TOP TO BOTTOM
020 NG
020 CW
020 HWF
015 HWR
(TYPICAL)

TOP TO BOTTOM
020 NG
020 CW
015 WW
(TYPICAL)

ADAPTABLE

BOUNDARY 44M

BOUNDARY 67.5M